

**Dunli**  
**Display**

# **One-stop Fixture Expert for Retailers**

since 2003

**Pharmacy Catalogue**

## Index

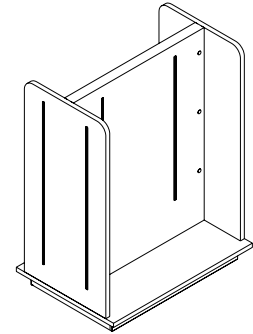
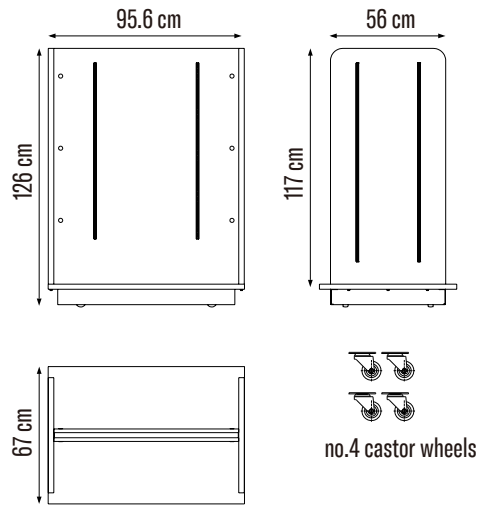
- 1 Gondola G01**
- 2 Gondola G02**
- 3 Gondola G03**
- 4 Wall System W01**
- 5 Wall System W02**
- 6 Wall System W03**
- 7 Free Standing System S01**
- 8 Cash Desk T01**

# 1 Gondola G01

## Structure

Gondola without accessories

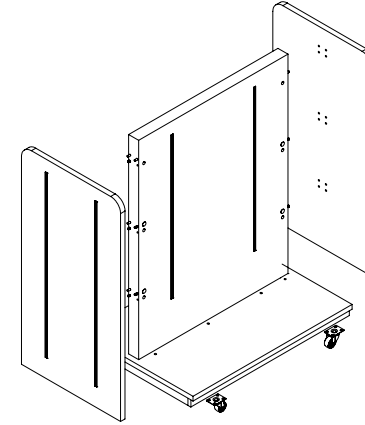
Material: **A00**



DYZ01BA01A

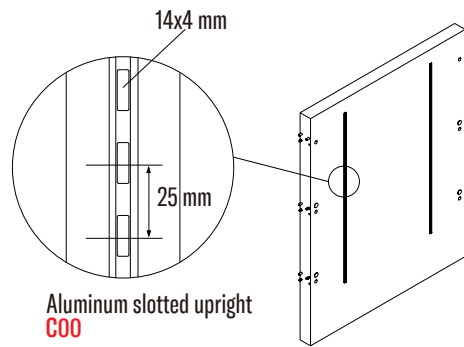
Basic structure

Material: **A00**

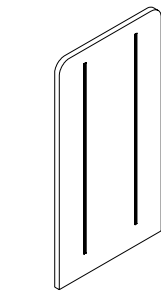


Front and lateral double upright panel

Material: **A00**



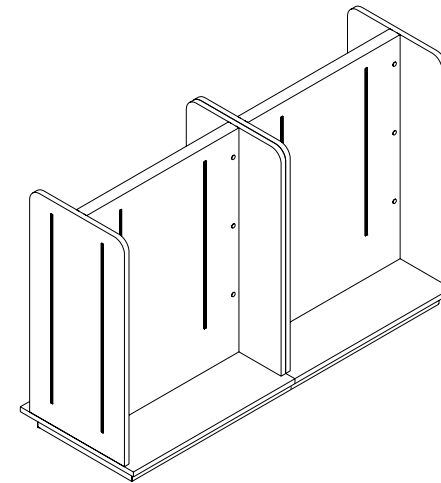
Thickness: 61 mm



Thickness: 27 mm

Combination

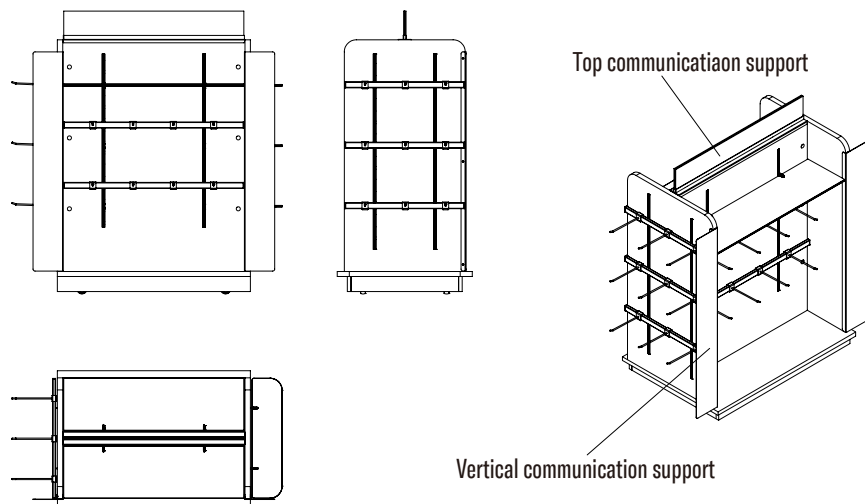
Material: **A00**



# 1 Gondola G01

## Standard Accessories

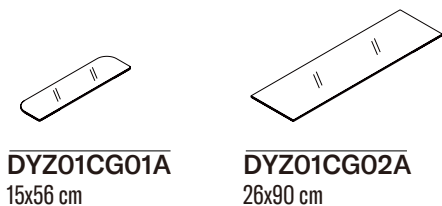
### Gondola with accessories



### Tempered glass shelves with shelf supports

Thickness: **8mm**

Material: **D00**



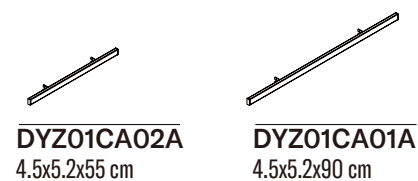
### Data strip for glass shelves

Material: **F00**



### Bars for slotted upright panels

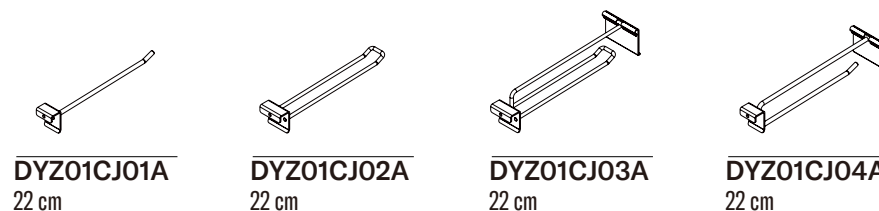
Material: **A00**



### Small hooks for bars

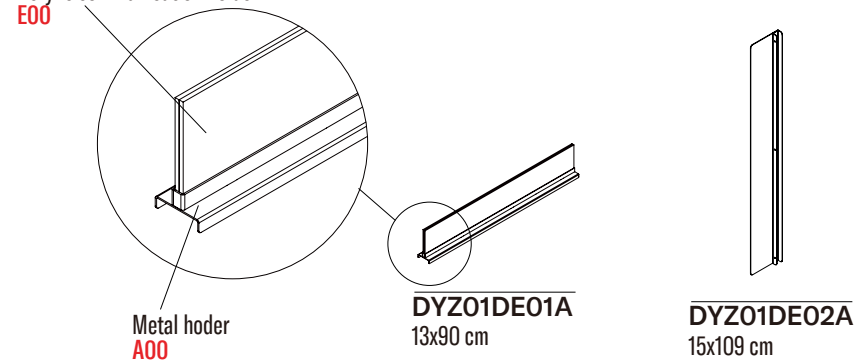
Diameter: **6mm**

Material: **A00**



### Top/Vertical communication supports

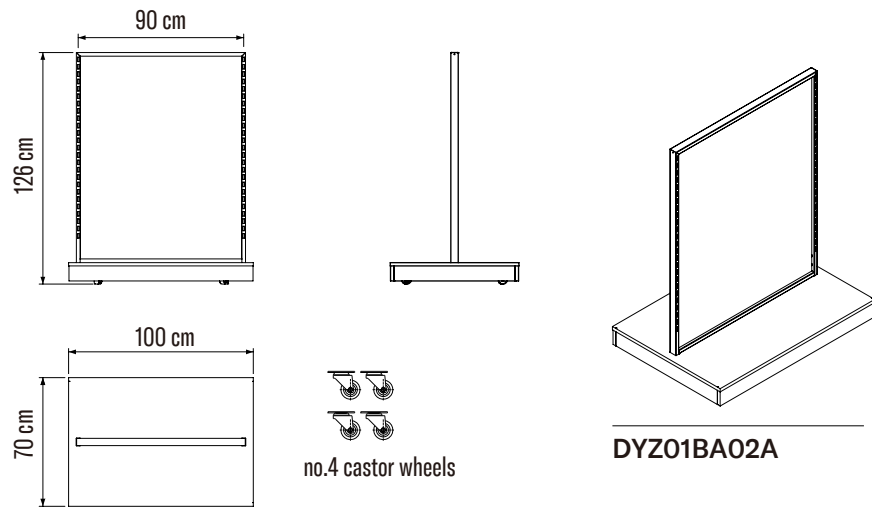
Acrylic communication holder  
**E00**



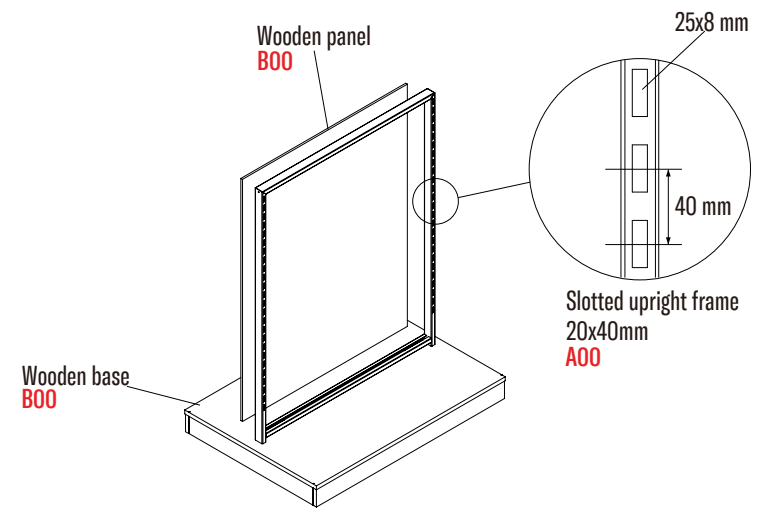
## 2 Gondola G02

## Structure

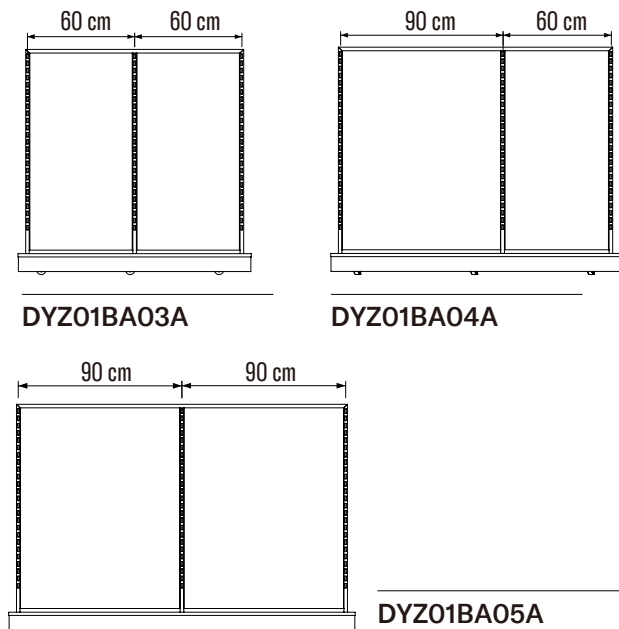
### Gondola without accessories



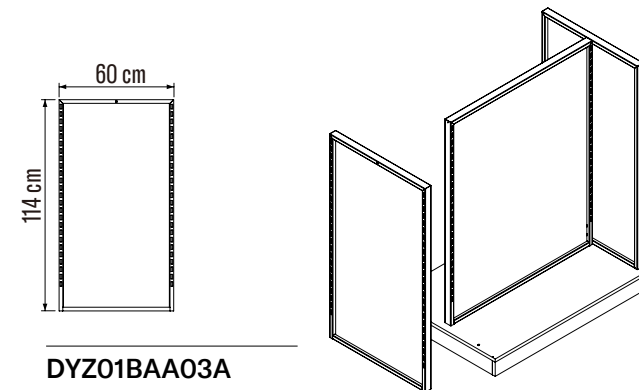
### Basic structure



### Basic structure with different length



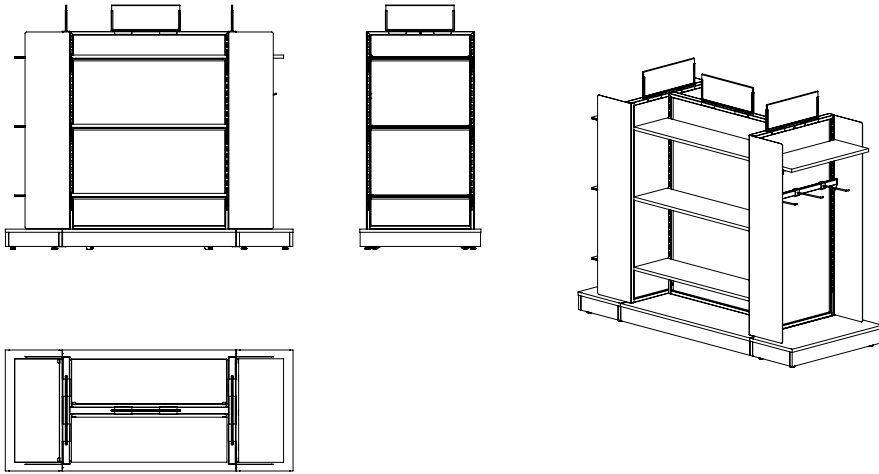
### Lateral slotted upright frame with wooden panel



## 2 Gondola G02

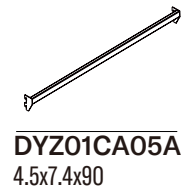
## Standard Accessories

### Gondola with accessories



### Bars for slotted upright frames

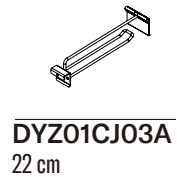
Material: **A00**



### Small hooks for bars

Diameter: **6mm**

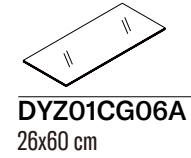
Material: **A00**



### Tempered glass shelves with shelf supports

Thickness: **8mm**

Material: **D00**



### Data strips for glass shelves

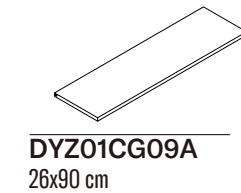
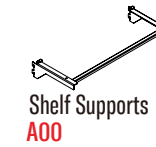
Material: **F00**



### Wooden shelf with shelf supports

Thickness: **8mm**

Material: **D00**



### Data strips for wooden shelves

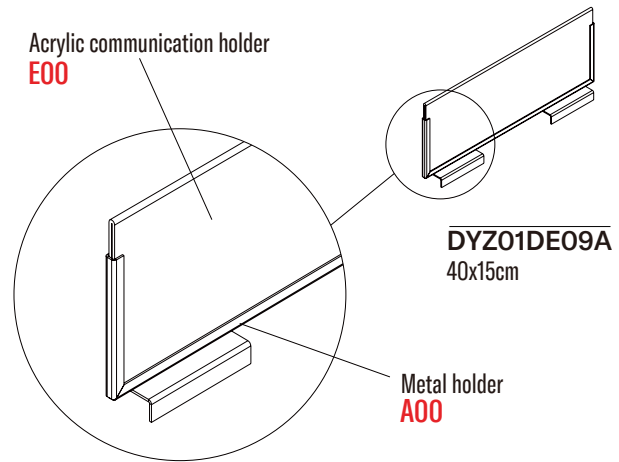
Material: **F00**



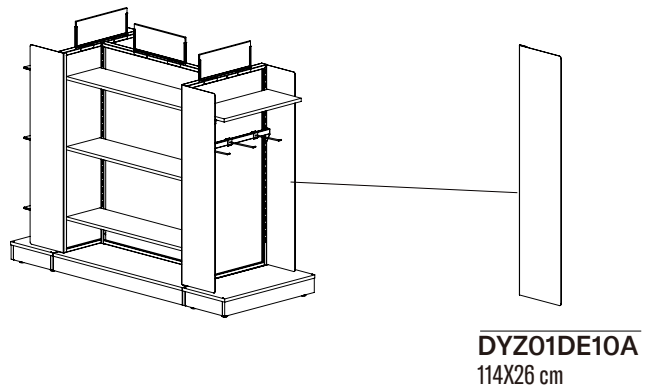
## 2 Gondola G02

## Standard Accessories

### Top communication supports



### Vertical communication supports

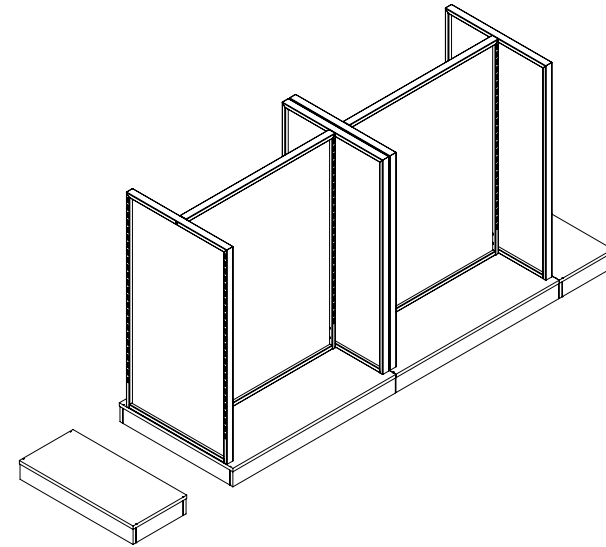


Material: **A00**

### Gondola end

Thickness: **18mm**

Material: **B00**

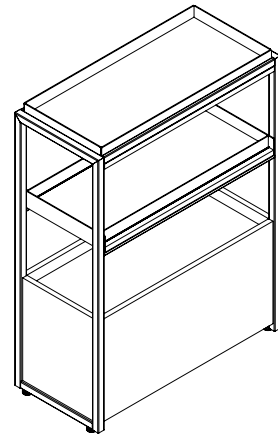
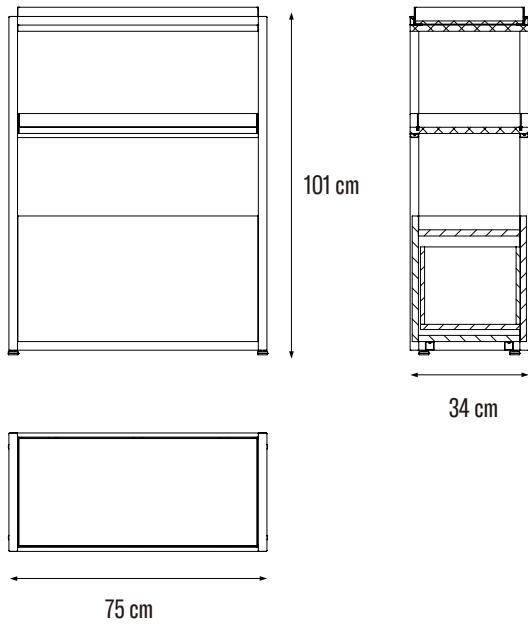


**DYZ01BAD01A**  
Gondola end  
33x70cm

### 3 Gondola G03

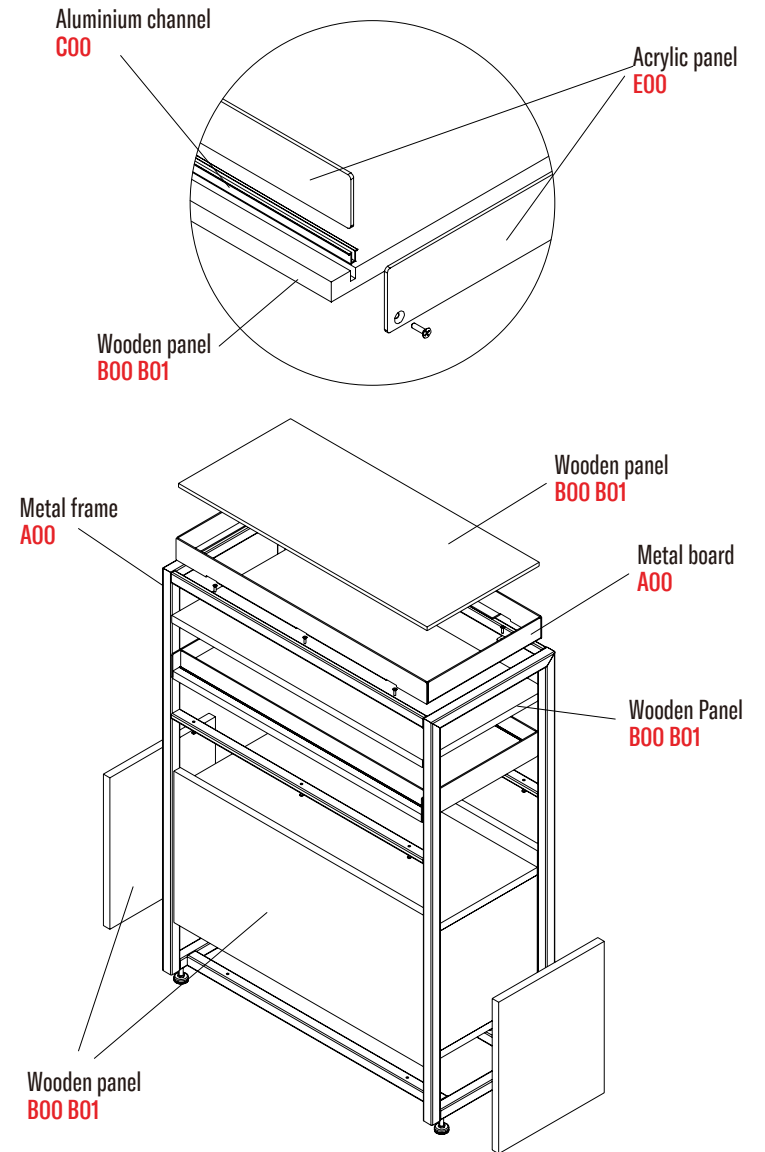
### Structure

Gondola with accessories



DYZ01BE01A

Structure





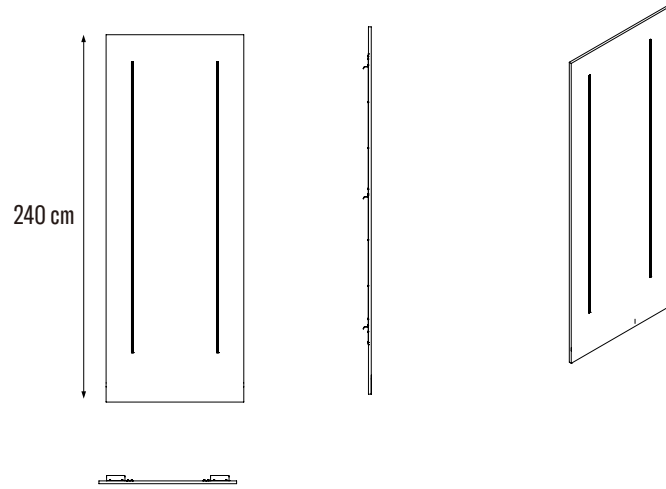
## 4 Wall System W01

## Structure

Double slotted upright panel (with/without electricity)

Thickness: **18mm**

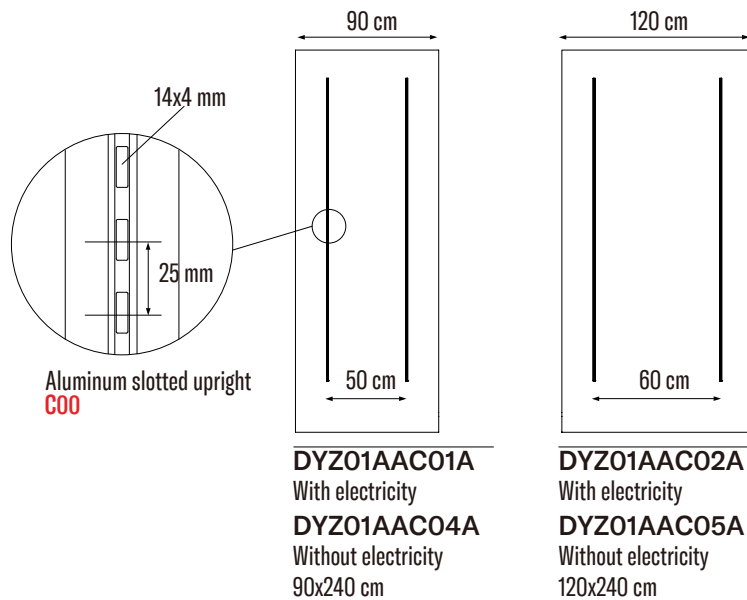
Material: **B00**



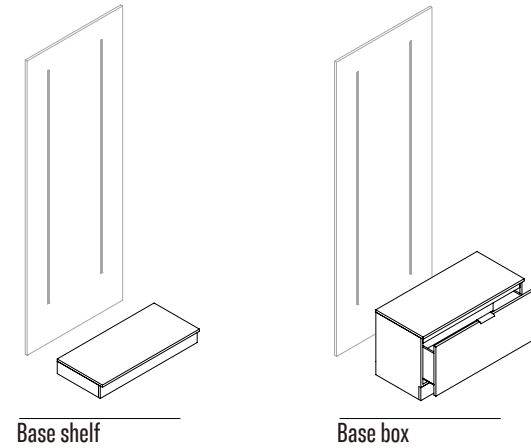
Double slotted upright panels (with/without electricity)

Thickness: **18mm**

Material: **B00**



Base shelf/box



Base shelves

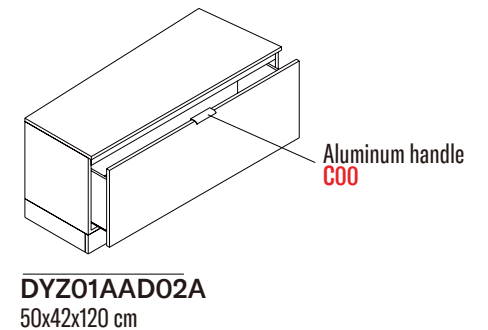
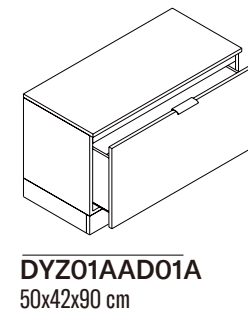
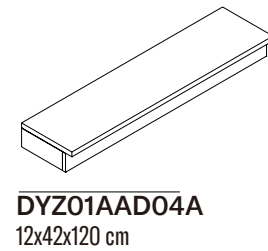
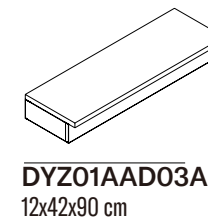
Thickness: **18mm**

Material: **B00 B01**

Base boxes

Thickness: **18mm**

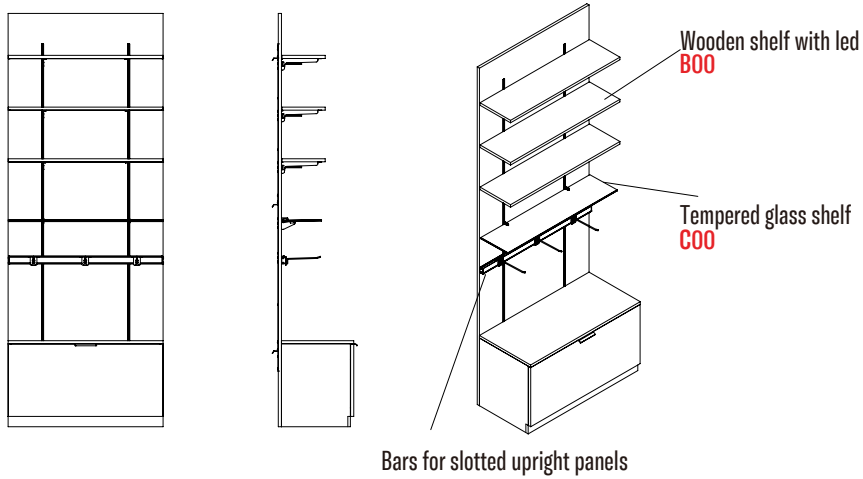
Material: **B00 B01**



## 4 Wall System W01

## Standard Accessories

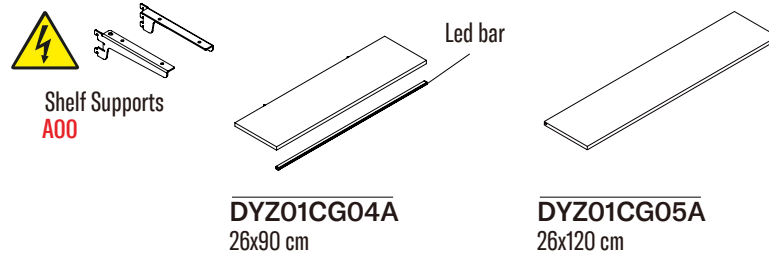
Double slotted upright panel with accessories



Wooden shelves with shelf supports and led bar

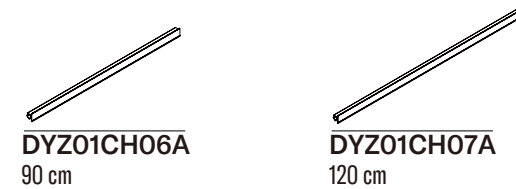
Thickness: **18mm**

Material: **B00 B01**



Data strips for wooden shelves

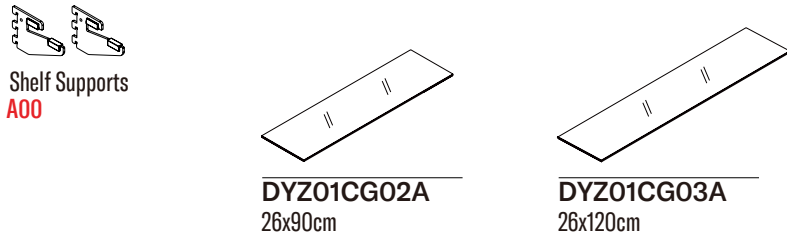
Material: **F00**



Tempered glass shelves with shelf supports

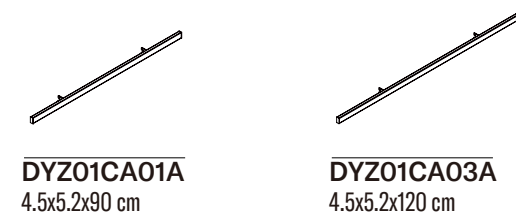
Thickness: **8mm**

Material: **D00**



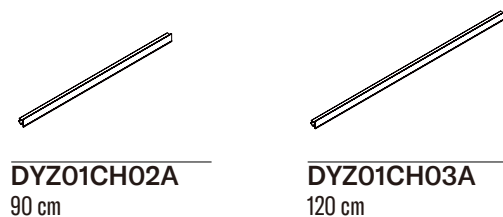
Bars for slotted upright panels

Material: **A00**



Data strips for glass shelves

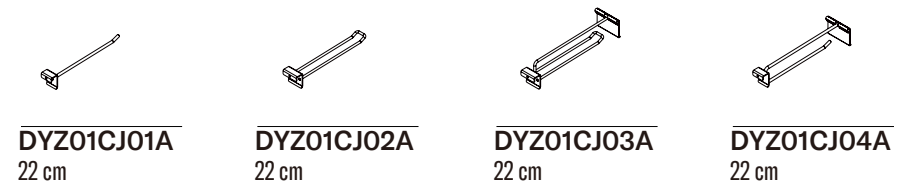
Material: **F00**



Small hooks for bars

Diameter: **6mm**

Material: **A00**



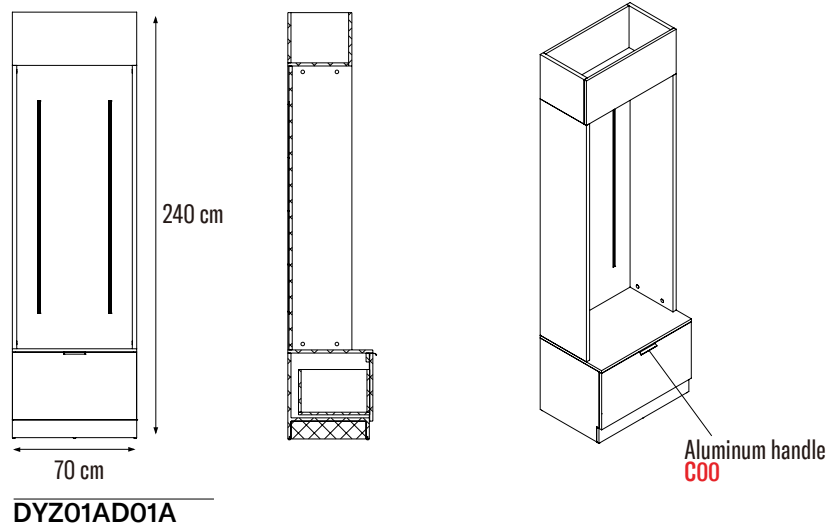
## 5 Wall System W02

## Structure

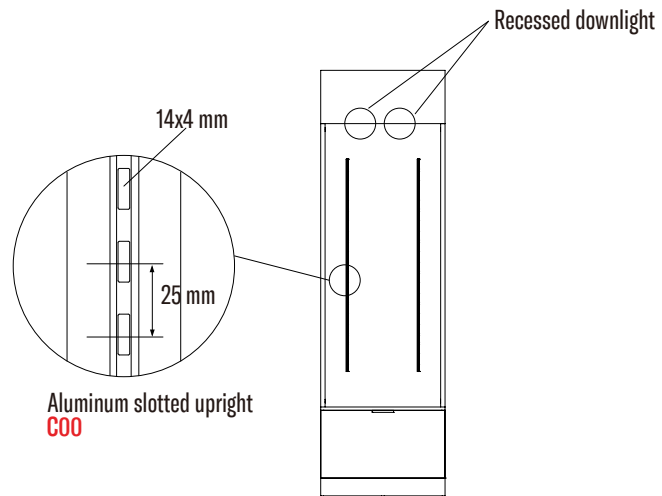
Double slotted upright cabinet

Thickness: **18mm**

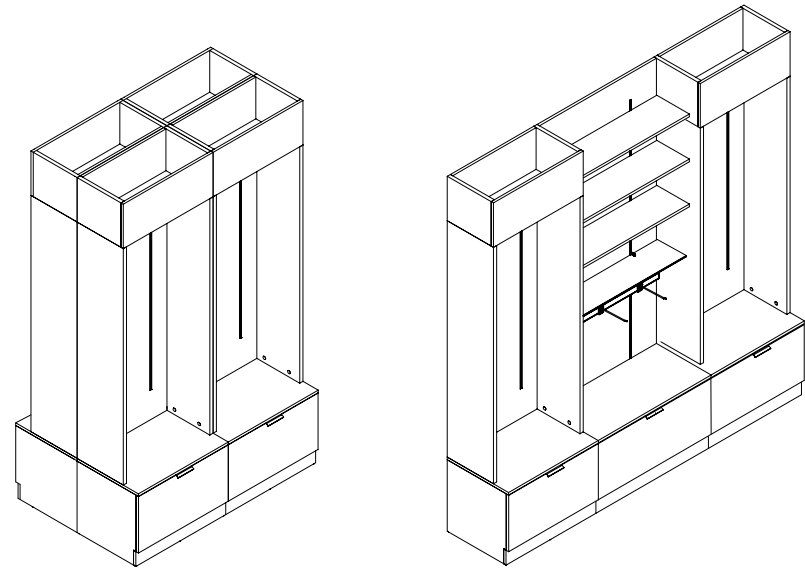
Material: **B00**



Double upright panel



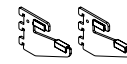
Combinations



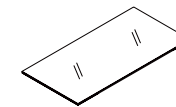
Tempered glass shelf with shelf supports

Thickness: **8mm**

Material: **D00**



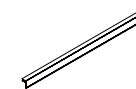
Shelf Supports  
**A00**



**DYZ01CG10A**  
32x65 cm

Data strips for glass shelf

Material: **F00**

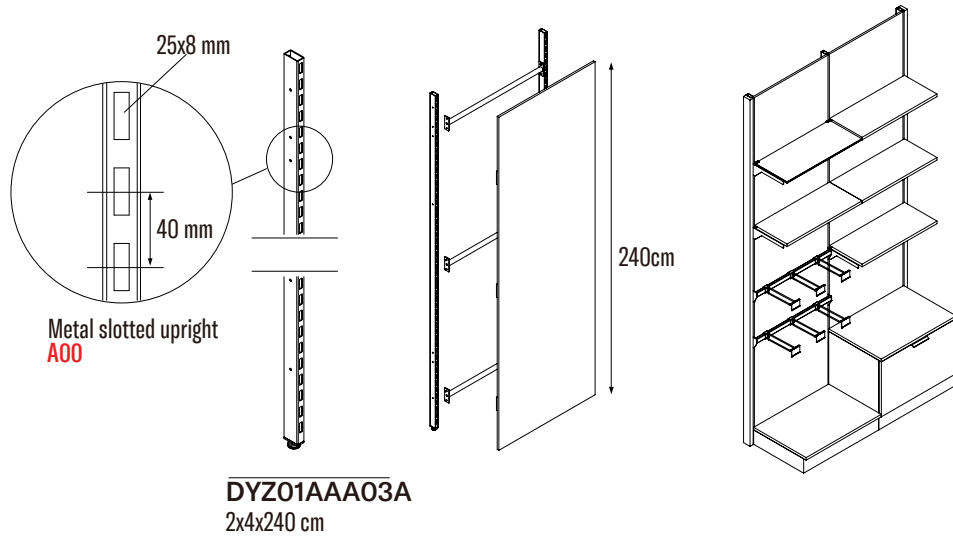


**DYZ01CH04A**  
65 cm

## 6 Wall System W03

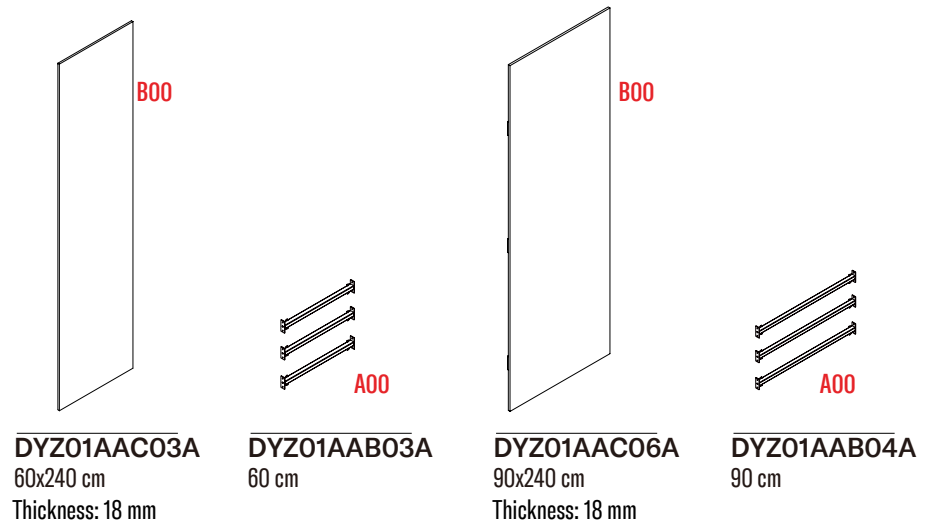
### Structure

#### Slotted uprights with back panel



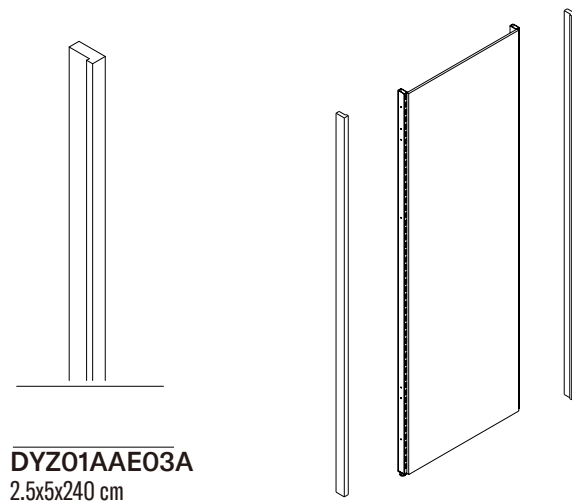
#### Back panels and cross bars

Material: **B00**



#### Wooden upright cover

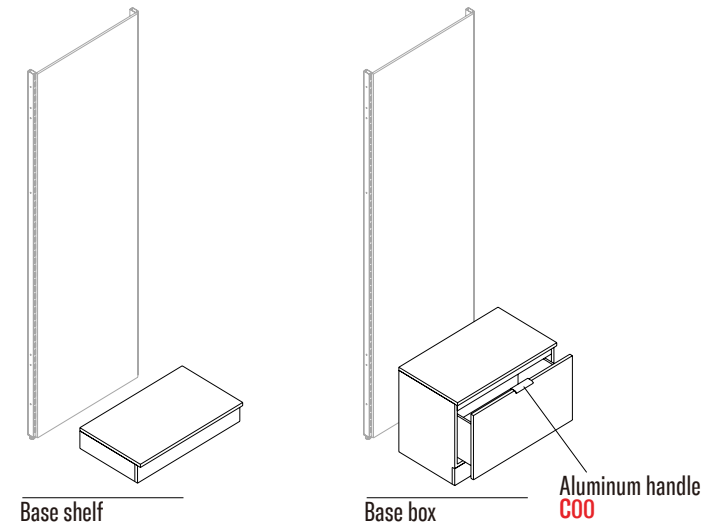
Material: **B00**



#### Base shelf/box

Thickness: **18mm**

Material: **B00 B01**



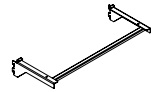
## 6 Wall System W03

## Standard Accessories

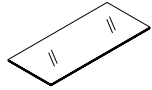
Tempered glass shelves with shelf supports

Thickness: **8mm**

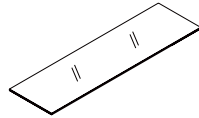
Material: **C00**



Shelf Supports  
**A00**



**DYZ01CG06A**  
26x60 cm



**DYZ01CG07A**  
26x90 cm

Data strips for glass shelves

Material: **F00**



**DYZ01CH01A**  
60 cm

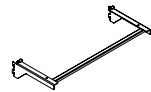


**DYZ01CH02A**  
90 cm

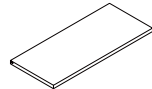
Wooden shelves with shelf supports

Thickness: **18mm**

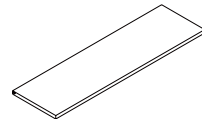
Material: **B00 B01**



Shelf Supports  
**A00**



**DYZ01CG08A**  
26x60 cm



**DYZ01CG09A**  
26x90 cm

Data strips for wooden shelves

Material: **F00**



**DYZ01CH05A**  
60 cm

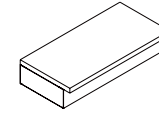


**DYZ01CH06A**  
90 cm

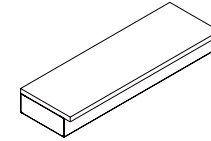
Base shelves

Thickness: **18mm**

Material: **B00 B01**



**DYZ01AAD06A**  
12x42x60 cm

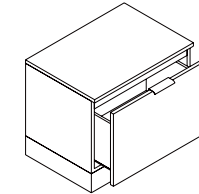


**DYZ01AAD03A**  
12x42x90 cm

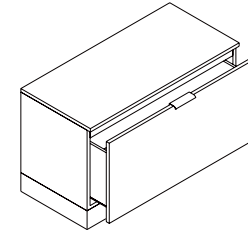
Base boxes

Thickness: **18mm**

Material: **B00 B01**



**DYZ01AAD05A**  
50x42x60 cm



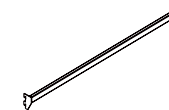
**DYZ01AAD01A**  
50x42x90 cm

Bars for slotted uprights

Material: **A00**



**DYZ01CA04A**  
4.5x7.4x60 cm



**DYZ01CA05A**  
4.5x7.4x90 cm

Small hooks for bars

Diameter: **6mm**

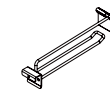
Material: **A00**



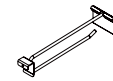
**DYZ01CJ01A**  
22 cm



**DYZ01CJ02A**  
22 cm



**DYZ01CJ03A**  
22 cm

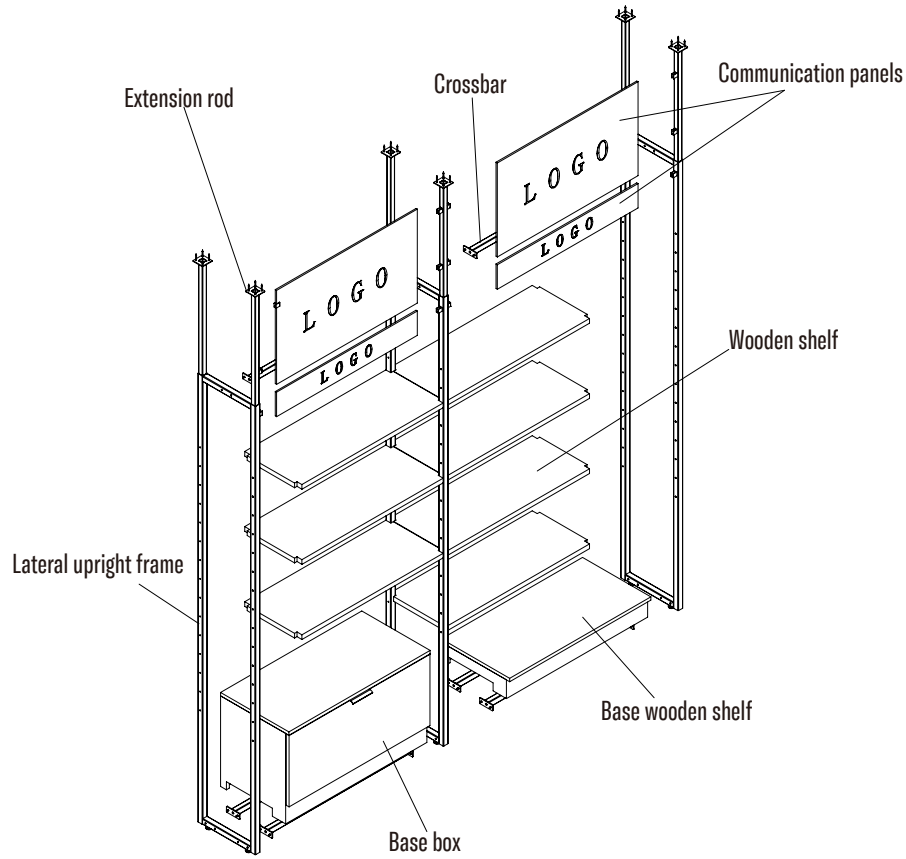


**DYZ01CJ04A**  
22 cm

# 7 Free Standing System S01

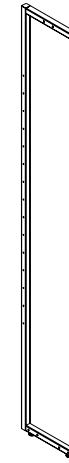
## Structure

Structure

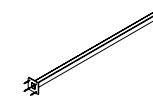


Lateral upright frame and extension rod

Material: **A00**



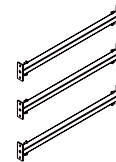
**DYZ01BAA01A**  
Lateral upright frame  
35x24 0cm



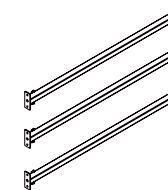
**DYZ01BAA02A**  
Extension rod  
70 cm

Cross bars

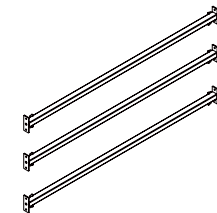
Material: **A00**



**DYZ01BAB01A**  
60 cm



**DYZ01BAB02A**  
90 cm



**DYZ01BAB03A**  
120 cm

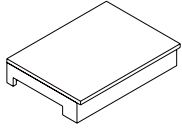
## 7 Free Standing System S01

## Standard Accessories

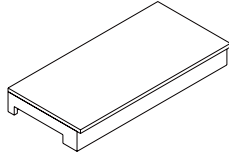
Base shelves

Thickness: 18mm

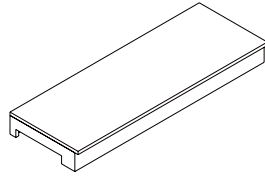
Material: B00 B01



**DYZ01AAD07A**  
12x42x57 cm



**DYZ01AAD08A**  
12x42x87 cm

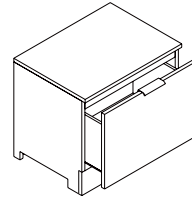


**DYZ01AAD09A**  
12x42x117 cm

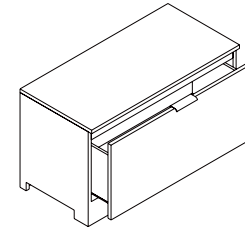
Base boxes

Thickness: 18mm

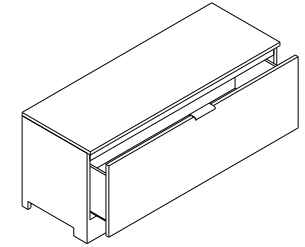
Material: B00 B01



**DYZ01AAD10A**  
50x42x57 cm



**DYZ01AAD11A**  
50x42x87 cm

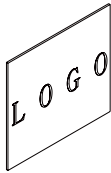


**DYZ01AAD12A**  
50x42x117 cm

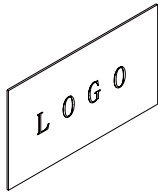
Communication panels

Thickness: 10mm

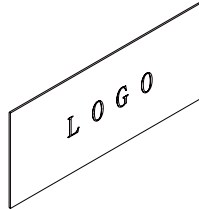
Material: F01



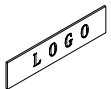
**DYZ01DE03A**  
50x56 cm



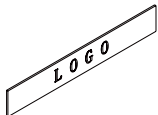
**DYZ01DE04A**  
50x86 cm



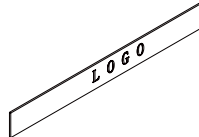
**DYZ01DE05A**  
50x116 cm



**DYZ01DE06A**  
13x56 cm



**DYZ01DE07A**  
13x86 cm

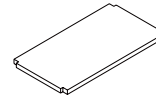


**DYZ01DE08A**  
13x116 cm

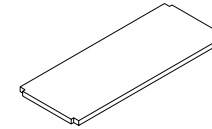
Wooden shelves

Thickness: 18mm

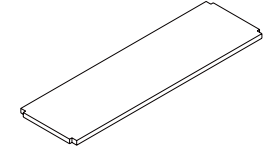
Material: B00 B01



**DYZ01CG11A**  
35x60 cm



**DYZ01CG12A**  
35x90 cm



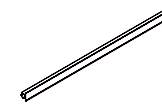
**DYZ01CG13A**  
35x120 cm

Data strips for wooden shelf

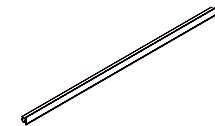
Material: F00



**DYZ01CH08A**  
57 cm



**DYZ01CH09A**  
87 cm



**DYZ01CH10A**  
117 cm

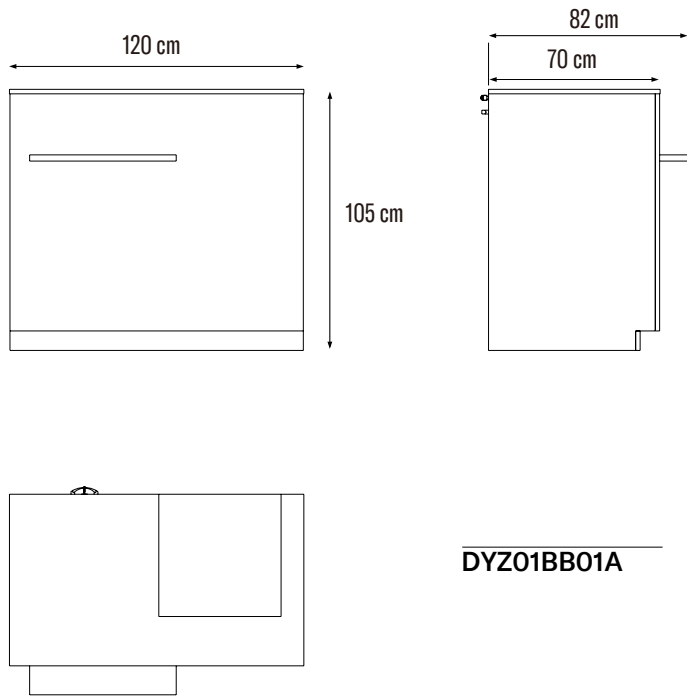
## 8 Cash desk T01

## Structure

Cash desk

Thickness: **18mm**

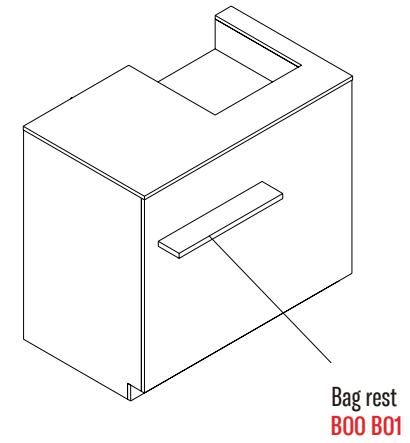
Material: **B00**



Bag rest

Thickness: **18mm**

Material: **B00 B01**





## Material List

- A00** Powder Coating Steel
- B00** White Melamine MDF Board
- B01** Wooden Finish Melamine MDF Board
- C00** Anodized Aluminum
- D00** Ultra Clear Tempered Glass
- E00** Acrylic Sheet
- F00** PVC Strip
- F01** PVC Expansion Sheet

**Hangzhou Dunli Store  
& Display Fixtures Co., Ltd**

No. 1 Dunli Road 311107  
Hangzhou, China

[www.dunlidisplay.com](http://www.dunlidisplay.com)  
[dunlidisplay@dunli.com](mailto:dunlidisplay@dunli.com)

**Offices**

via Dogana 3 20123 Milan Italy

Business Venue Building Dubai UAE